



POST TOP LANTERN

IP43

MPT11/SPT11/IPT

LUMINAIRE:

Comprises a controlgear capsule diecast from LM6 aluminium alloy. It is fitted with a copper wound polyester ballast, lamp holder and mains connector. An opal diffuser, spun aluminium canopy and gasket are assembled over the capsule and held in position with zinc plated brackets and a knurl headed knob. Capsule and canopy have stove enamel mat black finish from outside. Inner surface of canopy has reflector white stove enamel finish.

CABLE ENTRY:

Incoming cable is to be terminated on the mains connector inside the controlgear capsule.

RELAMPING:

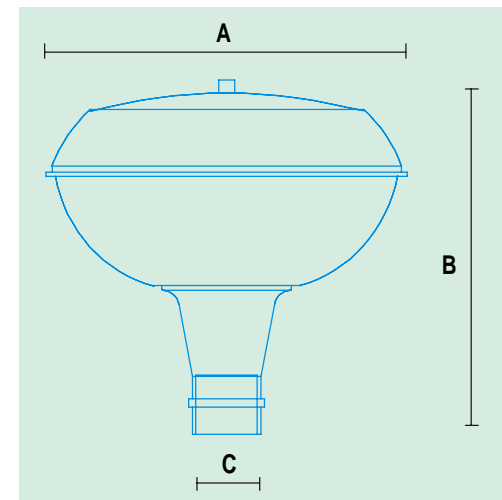
Canopy can be easily opened for maintenance by opening the knurl headed knob on the top.

MOUNTING:

The inner dia of controlgear capsule base is suitable for maximum 57.5mm O.D. pipe in case of MPT/SPT & 77.5mm O.D. in case of IPT.

APPLICATIONS:

Suitable for aesthetic lighting in parks, parking lots, gate posts, porticos etc.



Cat Ref	Lamp			Cap Size	Voltage (V)	Current (A)	Dimension (mm)			Approx Wt (Kgs)	Case lot (Nos)
	Type	No	Watts				A	B	C		
MPT1108IL/BC	HPMV	1	80	B-22d (3Pin)	240	0.76	462	393	60	4.1	4
MPT1112IL/BC	HPMV	1	125	B-22d (3Pin)	240	1.15	462	393	60	4.1	4
SPT1107IL (NI & WI)	HPSV	1	70	E-27	240	1.0	462	393	60	4.2	4

1. Also available without ballast for use of with 160 W MLL or 200 W BC incandescent lamp. Cat. Ref. for which is IPT 20 BC. Length of capsule is shorter. Dimension 'C' will be 80 mm.

2. SPT 1107 IL(NI): Does not have electronic ignitor in controlgear capsule. Hence should be used with 70W (I) HPSV lamps with inbuilt ignitor.

3. SPT1107 IL(WI): Has an electronic ignitor in controlgear capsule. Hence should be used with 70 W (E) HPSV lamps without inbuilt ignitor.

4. If luminaire is required with high power factor capacitor please put 'H' in place of 'L' in Cat. Ref.

5. If luminaire is required with 'ES' holder suitable for E-27 cap, replace suffix 'ES' with 'BC' in Cat. Ref.



POST TOP LANTERN

IP43

MPT/SPT-FS

LUMINAIRE:

Comprises a controlgear capsule diecast from LM6 aluminium alloy. It is fitted with a copper wound polyester ballast, lamp holder and mains connector. An opal acrylic diffuser, spun aluminium canopy and gasket are assembled over the capsule and held in position by a retaining ring with knurl headed fastener. The lantern is aesthetically pleasing and resembles a flying saucer in shape. Capsule and canopy have stove enamel mat black finish from outside. Inner surface of canopy has reflector white stove enamel finish. Light distribution is asymmetrical.

CABLE ENTRY:

Incoming cable is to be terminated on the mains connector inside the controlgear capsule.

RELAMPING:

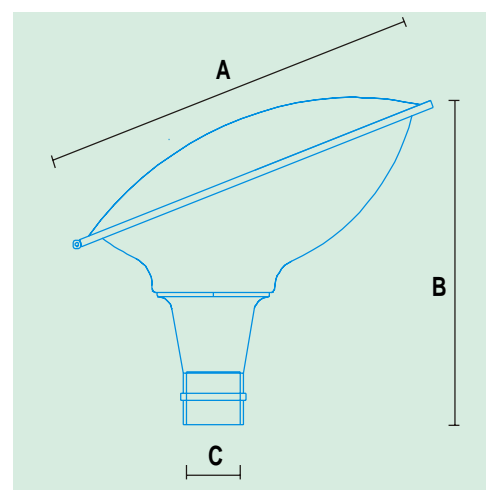
Canopy can be easily opened for maintenance by opening the knurl headed fastener and retaining ring.

MOUNTING:

The inner dia of controlgear capsule base is suitable for maximum 57.5mm O.D. pipe..

APPLICATIONS:

Suitable for aesthetic lighting in parks, parking lots, gate posts, porticos, gardens, etc.



Cat Ref	Lamp			Cap Size	Voltage (V)	Current (A)	Dimension (mm)			Approx Wt (Kgs)	Case lot (Nos)
	Type	No	Watts				A	B	C		
MPT1108IL/FS/BC	HPMV	1	80	B-22d (3Pin)	240	0.76	565	400	60	4.7	4
MPT1112IL/FS/BC	HPMV	1	125	B-22d (3Pin)	240	1.15	565	400	60	4.7	4
SPT1107IL/FS (NI & WI)	HPSV	1	70	E-27	240	1.0	565	400	60	5.0	4

1. SPT110 7IL/FS/BC/(NI) : Does not have electronic ignitor in controlgear capsule. Hence should be used with 70W(I) HPSV lamps with inbuilt ignitor.
2. SPT110 7IL/FS/BC/(WI) : Has an electronic ignitor in controlgear capsule. Hence should be used with 70W(E) HPSV lamps without inbuilt ignitor.
3. If luminaire is required with high power factor capacitor please put 'H' in place of 'L' in Cat. Ref.
4. If luminaire is required with 'ES' holder suitable for E-27 cap, replace suffix 'ES' with 'BC' in Cat. Ref.



POST TOP LANTERN

IP43

MPT/SPT-BM

LUMINAIRE:

Comprises a controlgear capsule diecast from LM6 aluminium alloy. It is fitted with a copper wound polyester ballast, lamp holder and mains connector. A rotational moulded diffuser of polyethylene is screwed on top of the capsule. The diffuser is adequately gasketed for weather proofness.

CABLE ENTRY:

Incoming cable is to be terminated on the mains connector inside the controlgear capsule.

RELAMPING:

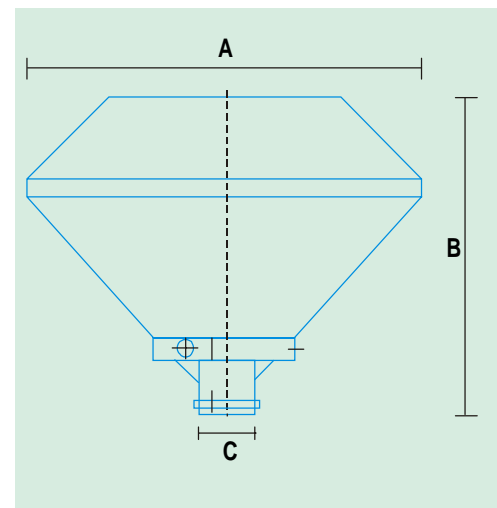
The diffuser can be easily unscrewed for relamping and maintenance.

MOUNTING:

The inner dia of controlgear capsule base is suitable for pipe of 65 to 77.5mm O.D.

APPLICATIONS:

Suitable for aesthetic lighting in parks, parking lots, gate posts, gardens, porticos, etc.



Cat Ref	Lamp			Cap Size	Voltage (V)	Current (A)	Dimension (mm)			Approx Wt (Kgs)	Case lot (Nos)
	Type	No	Watts				A	B	C		
MPT8IL/BM/BC	HPMV	1	80	B-22d (3Pin)	240	0.76	605	445	80	4.3	1
MPT12IL/BM/BC	HPMV	1	125	B-22d (3Pin)	240	1.15	605	445	80	4.4	1
SPT7IL/BM (NI & WI)	HPSV	1	70	E-27	240	1.0	605	445	80	4.5	1

1.SPT 7IL/BM/BC/(NI): Does not have electronic ignitor in controlgear capsule. Hence should be used with 70W(I) HPSV lamps with inbuilt ignitor.

2.SPT 7IL/BM/BC/(WI): Has an electronic ignitor in controlgear capsule. Hence should be used with 70W(E) HPSV lamps without inbuilt ignitor.

3.If luminaire is required with high power factor capacitor please put 'H' in place of 'L' in Cat. Ref

4.If luminaire is required with 'ES' holder suitable for E-27 cap, replace suffix 'ES' with 'BC' in Cat. Ref..



POST TOP LANTERN

☔ IP43

MPT/SPT-SP

LUMINAIRE:

Comprises a controlgear capsule diecast from LM6 aluminium alloy. It is fitted with a copper wound polyester ballast, lamp holder and mains connector. A rotational moulded spherical diffuser of polyethylene is screwed on top of the capsule. The bowl is adequately gasketed for weather proofness.

CABLE ENTRY:

Incoming cable is to be terminated on the mains connector inside the controlgear capsule.

RELAMPING:

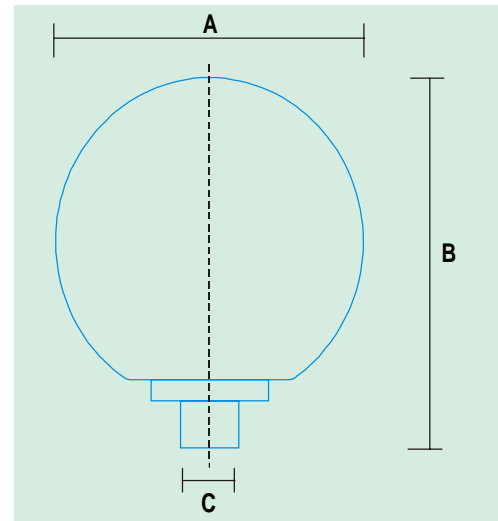
The diffuser can be easily unscrewed for relamping and maintenance.

MOUNTING:

The inner dia of controlgear capsule base is suitable for pipe of 65 to 77.5mm O.D.

APPLICATIONS:

Suitable for aesthetic lighting in parks, gate posts, parking lots, gardens, porticos, etc.



Cat Ref	Lamp			Cap Size	Voltage (V)	Current (A)	Dimension (mm)			Approx Wt (Kgs)	Case lot (Nos)
	Type	No	Watts				A	B	C		
MPT8IL/SP/BC	HPMV	1	80	B-22d (3Pin)	240	0.76	475	540	80	4.6	1
MPT12IL/SP/BC	HPMV	1	125	B-22d (3Pin)	240	1.15	475	540	80	4.9	1
SPT7IL/SP (NI & WI)	HPSV	1	70	E-27	240	1.0	475	540	80	4.9	1

1. SPT 7IL/SP/BC/(NI): Does not have electronic ignitor in controlgear capsule. Hence should be used with 70W(I) HPSV lamps with inbuilt ignitor.

2. SPT 7IL/SP/BC/(WI): Has an electronic ignitor in controlgear capsule. Hence should be used with 70W(E) HPSV lamps without inbuilt ignitor.

3. If luminaire is required with high power factor capacitor please put 'H' in place of 'L' in Cat. Ref.

4. If luminaire is required with 'ES' holder suitable for E-27 cap, replace suffix 'ES' with 'BC' in Cat. Ref.



POST TOP LANTERN

IP43

CFPT11

LUMINAIRE:

Comprises a controlgear capsule diecast from LM6 aluminium alloy. It is fitted with a VPIT copper ballast, CFL lamp holders and mains connector. A clear acrylic diffuser is screwed on top of the capsule.

CABLE ENTRY:

Incoming cable is to be terminated on the mains connector inside the capsule.

RELAMPING:

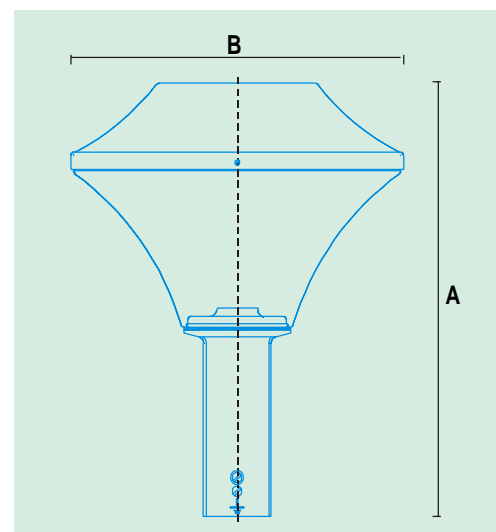
Diffuser can be easily removed for relamping and maintenance.

MOUNTING:

Inner dia of controlgear capsule is suitable for maximum 50mm OD pipe.

APPLICATIONS:

Suitable for aesthetic lighting in parks, gate posts, gardens, porticos etc.



Cat Ref	Lamp			Voltage (V)	Current (A)	Dimension (mm)		Approx Wt (Kgs)	Case lot (Nos)
	Type	No	Watts			A	B		
CFPT11	CFL	1	11	230	0.155	415	313	1.3	8

BOLLARDS



IP43

CFBL9

LUMINAIRE:

Comprises a cast aluminium base ring & MS pipe which houses the CFL lamp holder, VPIT ballast and mains connector. Clear acrylic bowl is retained in position by aluminium ring duly gasketed for weatherproofness. A canopy is fixed to the bowl by means of a screw.

CABLE ENTRY:

Is from the bottom portion of the pipe.

RELAMPING:

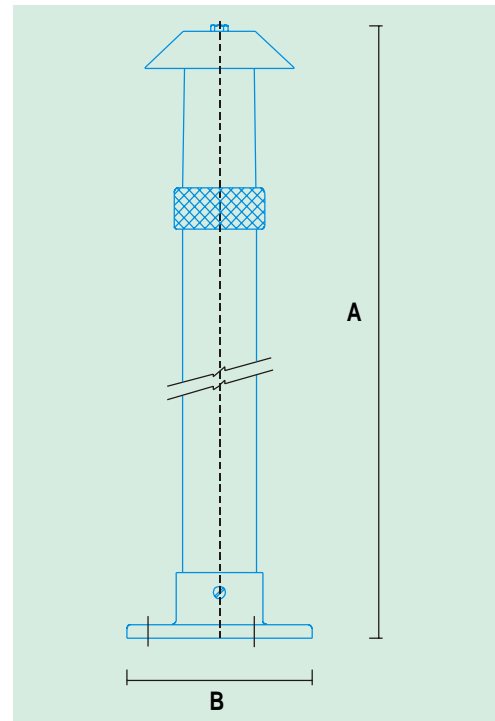
Acrylic bowl can be removed by unscrewing the knurl headed ring for lamp replacement.

MOUNTING:

A cast aluminium base ring with 3 nos. holes of 9mm dia. facilitate grouting.

APPLICATIONS:

Ideal for lighting areas like pathways, parks, gardens in hotels, resorts, housing complexes, amusement parks etc.



Cat Ref	Lamp			Voltage (V)	Current (A)	Dimension (mm)		Approx Wt (Kgs)	Case lot (Nos)
	Type	No	Watts			A	B		
CFBL9	CFL	1	9	230	0.175	775	150	3.3	4

BOLLARDS



IP43

CFBL11

LUMINAIRE:

Comprises a serrated acrylic diffuser mounted on a rotomoulded LLDPE pillar. Controlgear tray is prewired with CFL lamp holders, VPIT ballast and mains terminal and is mounted on the pillar. Acrylic bowl and pillar are assembled by means of a polypropylene ring fastened to the pillar.

CABLE ENTRY:

Is from the bottom portion of the pipe.

RELAMPING:

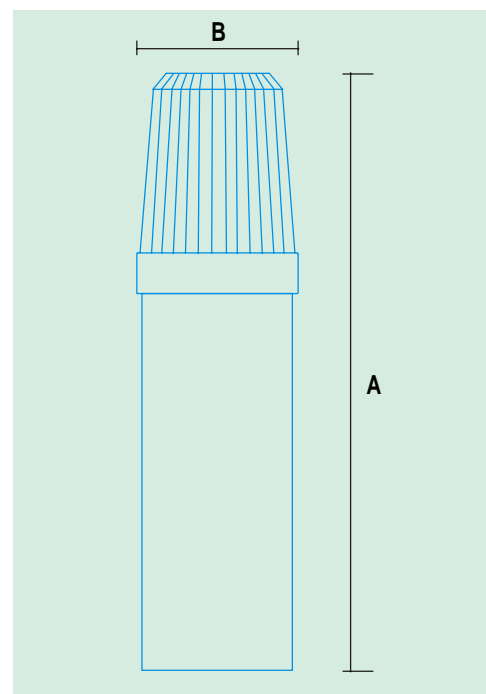
Acrylic bowl can be removed by unscrewing the polypropylene ring for lamp replacement and maintenance.

MOUNTING:

Pillar is grouted on concrete base by means of four Nos. of M8 X 75mm studs.

APPLICATIONS:

Ideal for lighting areas like pathways, parks, gardens in hotels, resorts, housing complexes, amusement parks etc.



Cat Ref	Lamp			Voltage (V)	Current (A)	Dimension (mm)		Approx Wt (Kgs)	Case lot (Nos)
	Type	No	Watts			A	B		
CFBL1129	CFL	2	9	230	0.16	604	167	2.3	4

BOLLARDS



IP43

CFBL12

LUMINAIRE:

Comprises of a serrated acrylic diffuser mounted on a cast aluminium controlgear housing prewired with CFL lamp holders, VPIT ballast and mains connector. Acrylic bowl and CG housing are assembled together by means of a polypropylene ring. The assembly is mounted on 60mm dia GI pipe. The bollard has cast aluminium pedestal for installation.

CABLE ENTRY:

Is from the bottom portion of the pipe.

RELAMPING:

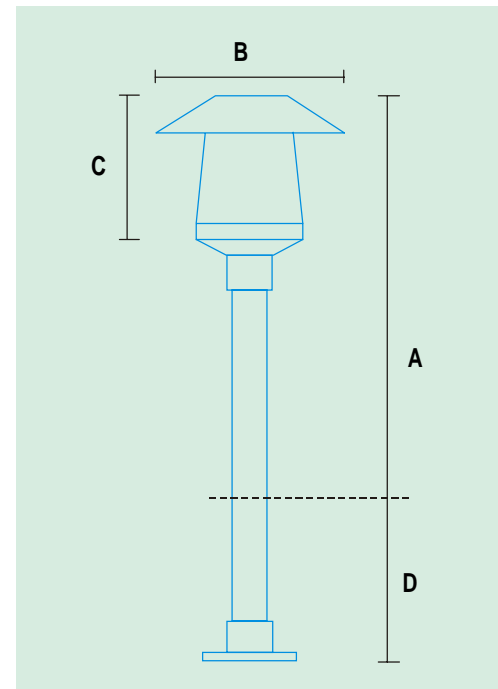
Acrylic bowl can be removed by unscrewing the polypropylene ring for lamp replacement and maintenance.

MOUNTING:

A base ring with 3 nos. holes of 9mm dia on 105 PCD, facilitates mounting. Bollard is installed 640 mm above the ground and 200 mm below. Four nos. M8 x 75mm studs facilitate grouting on concrete base.

APPLICATIONS:

Ideal for lighting areas like pathways, parks, gardens in hotels, resorts, housing complexes, amusement parks etc.



Cat Ref	Lamp			Voltage (V)	Current (A)	Dimension (mm)				Approx Wt (Kgs)	Case lot (Nos)
	Type	No	Watts			A	B	C	D		
CFBL1229	CFL	2	9	230	0.16	640	300	168	200	4.3	4