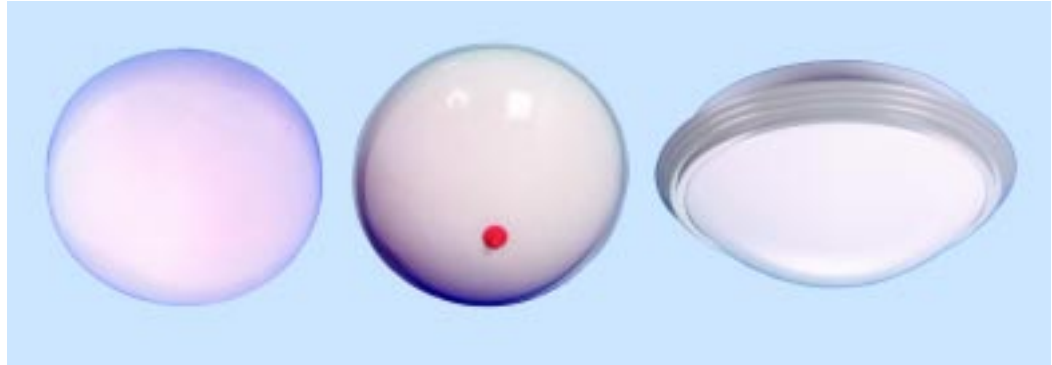


CIRCLINE LUMINAIRE



IP20

DC/DCE/DCGD

LUMINAIRE:

Fabricated from CRCA MS sheet and painted white. Prewired with vacuum pressure impregnated copper ballast, lamp holder and mains connector. Decorative opal acrylic circular diffuser gives an elegant appearance with cool daylight atmosphere. The diffuser is held in position by locking clips in DC22. In case of DCE the diffuser is mounted on the base plate by means of a white decorative plastic screw. DCGD has an acrylic diffuser with border rings in three pleasing colours viz Red, Yellow and Blue.

MOUNTING:

Key slots provided for ceiling/wall mounting.

RELAMPING:

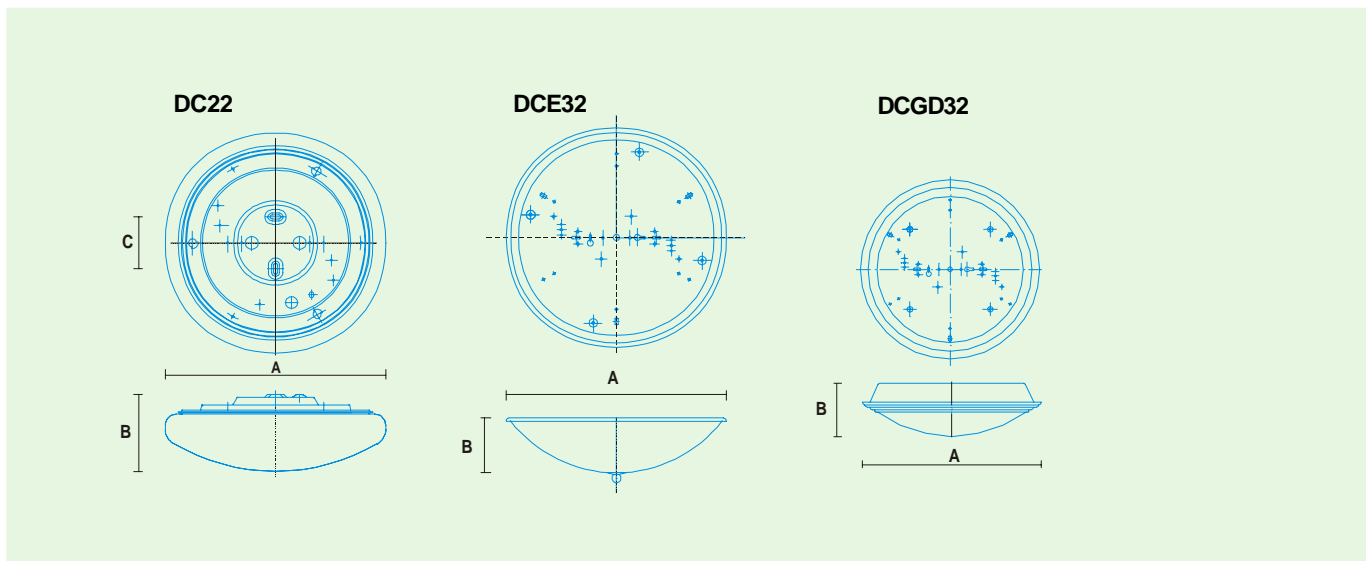
The diffuser in DC22 can be easily removed by unlocking the clips. Diffuser can be easily opened by unscrewing the decorative knob in DCE 32 and rotating the border ring in anticlockwise direction in case of DCGD.

APPLICATIONS:

Suitable for domestic interiors, conference halls, hospitals, restaurants, corridors etc.

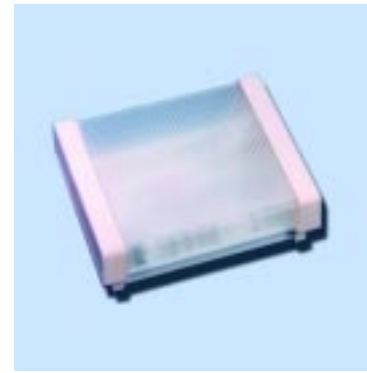
CABLE ENTRY:

Is through an inlet provided on base plate of the luminaire.



Cat Ref	Lamp			Dimension (mm)			Approx Wt (Kgs)	Case lot (Nos)
	Type	No	Watts	A	B	C		
DC 22	FCL	1	22	276	96	65	0.8	4
DCE 32	FCL	1	32	360	88	--	1.0	6
DCGD 32	FCL	1	32	355	110	--	1.0	6

Please add suffix 'B'/'Y'/'R' for Blue, Yellow & Red colour border rings respectively to the Cat. Ref. of DCGD32. e.g. DCGD32/B indicates luminaire with blue border ring.



MINILITE LUMINAIRE

IP 20

TLG

LUMINAIRE:

Fabricated from CRCA MS sheet and painted white. Prewired with vacuum pressure impregnated copper ballast, lamp holder and mains connector. A specially designed decorative polystyrene, prismatic diffuser held in position by white high impact polystyrene end covers makes the luminaire aesthetically appealing.

RELAMPING:

The diffuser can be easily removed for relamping by sliding it on one side.

MOUNTING:

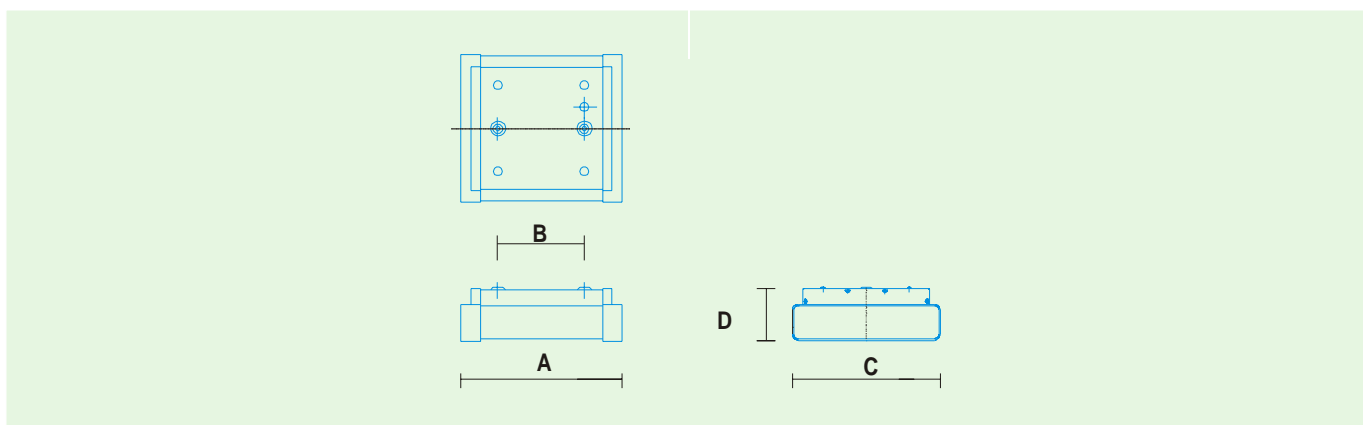
Two nos 6.5 mm dia holes on top of luminaire facilitate wall / ceiling mounting.

CABLE ENTRY:

Is through the inlet provided on top of the luminaire.

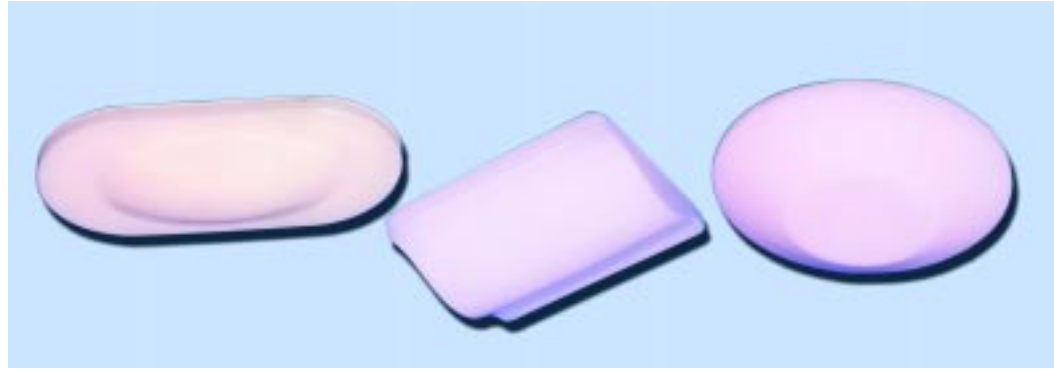
APPLICATIONS:

Ideal for diffused lighting in hotel lobbies, commercial interiors, offices, bedrooms, living rooms, etc.



Cat Ref	Lamp			Dimension (mm)				Approx Wt (Kgs)	Case lot (Nos)
	Type	No	Watts	A	B	C	D		
TLG 29	CFL	2	9	226	120	205	72	1.0	6

**MINILITE
LUMINAIRE**



IP 20

TLH/TLK/TLJ

LUMINAIRE:

Fabricated from CRCA MS sheet and painted white. Prewired with vacuum pressure impregnated copper ballast, lamp holders and mains connector. Decorative opal acrylic diffusers in different shapes viz. oval, square and round make the luminaire aesthetically appealing. The diffuser is held in position by locking clips on the rear side of the luminaire.

RELAMPING:

The diffuser can be easily removed for relamping by unlocking the clips.

MOUNTING:

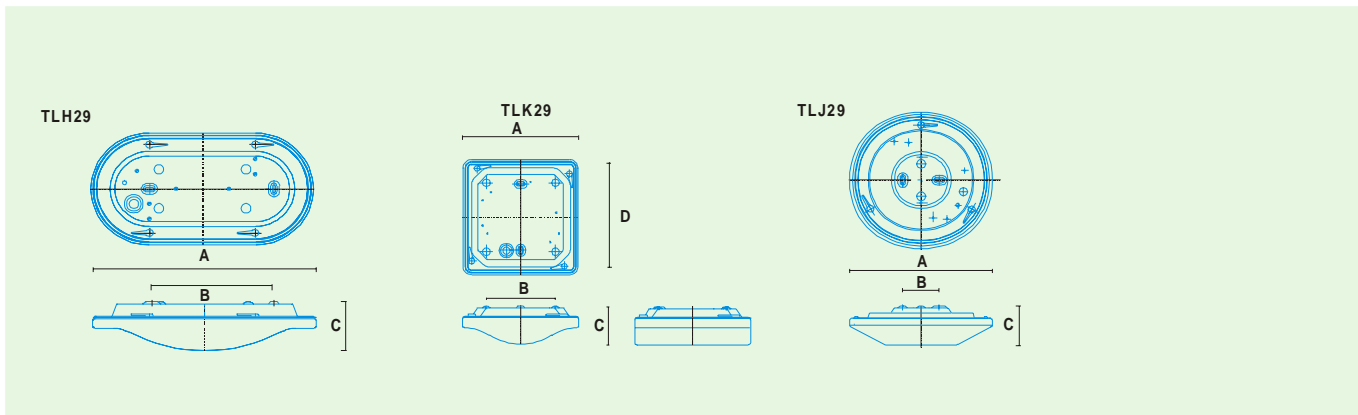
Two nos. 4.5 x 1.4mm slots on rear side facilitate wall /ceiling mounting.

CABLE ENTRY:

Is through the inlet provided on top of the luminaire.

APPLICATIONS:

Ideal for diffused lighting in hotel lobbies, commercial interiors, bedrooms, living rooms etc.



Cat Ref	Lamp			Dimension (mm)				Approx Wt (Kgs)	Case lot (Nos)
	Type	No	Watts	A	B	C	D		
TLH 29	CFL	2	9	358	196	83	---	1.0	6
TLK 29	CFL	2	9	244	140	85	244	1.0	6
TLJ 29	CFL	2	9	244	65	75	---	1.0	6



MINILITE LUMINAIRE

IP 20

TLN / TLO

LUMINAIRE:

Channel is fabricated from CRCA MS sheet and finished in reflector white inside and outside. Prewired with vacuum pressure impregnated copper ballast, lamp holder and mains connector. TLN has an aesthetically appealing serrated opal diffuser held in position by decorative end covers. Colour options available for end covers are white (W), deep blue (B), orange (O), H.C. grey (G), post office red (R) & black (BK). TLO has a decorative polystyrene diffuser with prismatic base held in position by two high impact white polystyrene end covers.

CABLE ENTRY:

Is through 12 mm dia grommetted inlet.

MOUNTING:

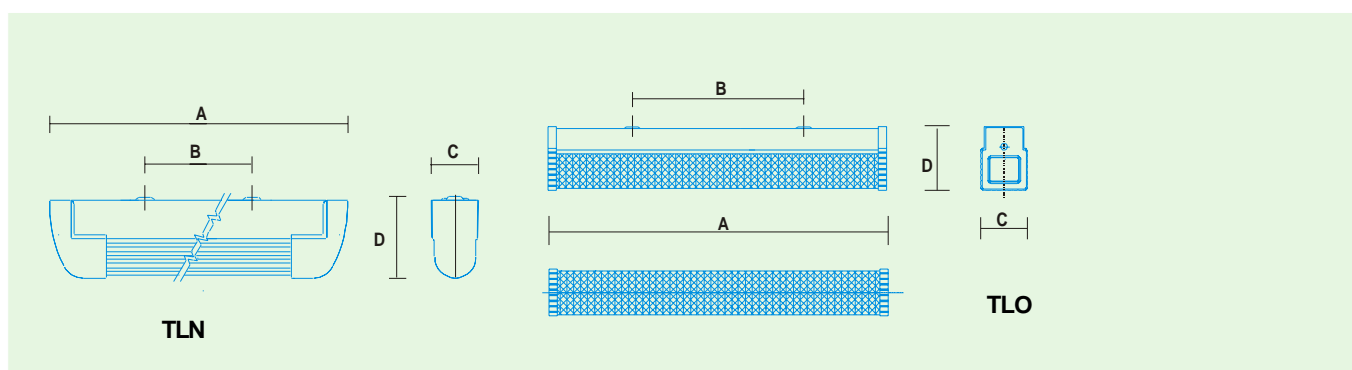
Two nos 6.5 mm dia holes on the rear side of the channel facilitate wall /ceiling mounting.

MAINTENANCE:

The end cover along with diffuser can be easily removed for lamp replacement in TLN. End plates and diffuser of TLO can be easily opened by removing screws for relamping and maintenance.

APPLICATIONS:

Can be widely used in offices, residential interiors, hotels and other indoor areas.



Cat Ref	Lamp			Dimension (mm)				Approx Wt (Kgs)	Case lot (Nos)
	Type	No	Watts	A	B	C	D		
TLO 9	CFL	1	9	230	120	69	93	0.9	6
TLO 11	CFL	1	11	280	120	69	93	1	6
TLN 9	CFL	1	9	265	120	53	92	0.65	20
TLN 11	CFL	1	11	335	120	53	92	0.75	20

1. Please add suffix 'W', 'B', 'O', 'G', 'R', & 'BK' for White Deep Blue, Orange, Grey, Red & Black colour end covers respectively to the Cat. Ref. of TLN. e.g. TLN9/B indicates luminaire with deep blue end covers.

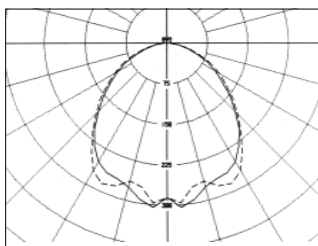
2. Also available on request TLC9 luminaire suitable for 9 W CFL with a serrated acrylic cover for corner lighting.

DOWNLIGHTER



IP 20

DDLV



Polar Diagram - Intensity Distribution in cd/ klm

LUMINAIRE:

Scientifically designed highly polished & anodised aluminium reflector provides precise light control with optimum light utilisation leading to substantial savings in energy cost and excellent ambient conditions. Reflector is fitted into the frame with 'quick-fix' mounting arrangement. Frame is fabricated from CRCA MS sheet and painted white. Precoated stirrups ensure corrosion free life.

MOUNTING:

Three nos. of retaining clips facilitate mounting in false ceilings of maximum 25 mm thickness.

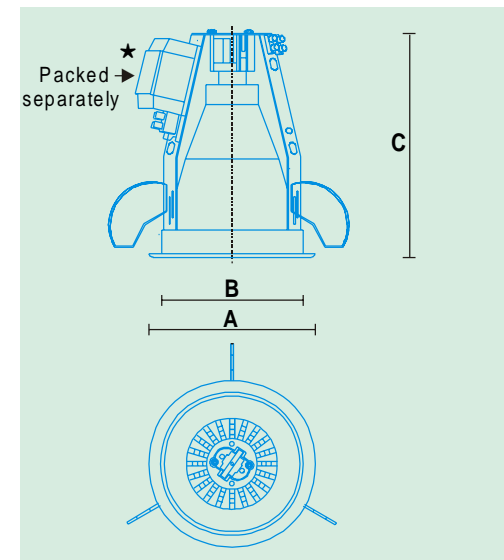
RELAMPING:

Can be carried out from below.

APPLICATIONS:

Specially designed for use in modern lobbies, hotels, shopping complexes, hospitals, and other commercial establishments with false ceilings for energy efficient and aesthetic lighting.

DOWNLIGHTER is also available for 70W MH lamps (single ended) to be used along with a suitable control pack.



CatRef	Lamp			Ballast / Controlgear*	Cut Out Size Dia (mm)	Dimension (mm)			Approx Wt (Kgs) without ballast	Case lot (Nos)
	Type	No	Watts			A	B	C		
DDLV 9	CFL	1	9	SFB 7019 /11	125	135	112	180	0.6	12
DDLV 11	CFL	1	11	SFB 7019 /11	165	190	154	230	0.7	12
DDLV 13	CFL	1	13	SFB 7013	125	135	112	180	0.6	12
DDLV 18	CFL	1	18	SFB 7018	125	135	112	180	0.6	12
DDLV 26	CFL	1	26	SFB 6026	125	135	112	180	0.7	12
DDLV 70MH	MH	1	70	CP1207MH	125	135	112	180	0.6	12
DDLV 10BC	GLS	1	100	-----	125	135	112	180	0.3	12

* CFL ballast or 70W MH control pack, Cat. Ref CP1207MH to be ordered separately.

DOWNLIGHTER



IP 20

DDLH29 / DDLH29A

LUMINAIRE:

Scientifically designed highly polished & anodised aluminium reflector provides precise light control with optimum light utilisation, leading to substantial savings in energy cost and excellent ambient conditions. Reflector is fitted into the frame with decorative screw arrangement. Frame is fabricated from CRCA MS sheet and painted white. Precoated stirrups ensure corrosion free life. DDLH 29A has a prismatic acrylic diffuser resting on upper part of reflector to reduce glare.

MOUNTING:

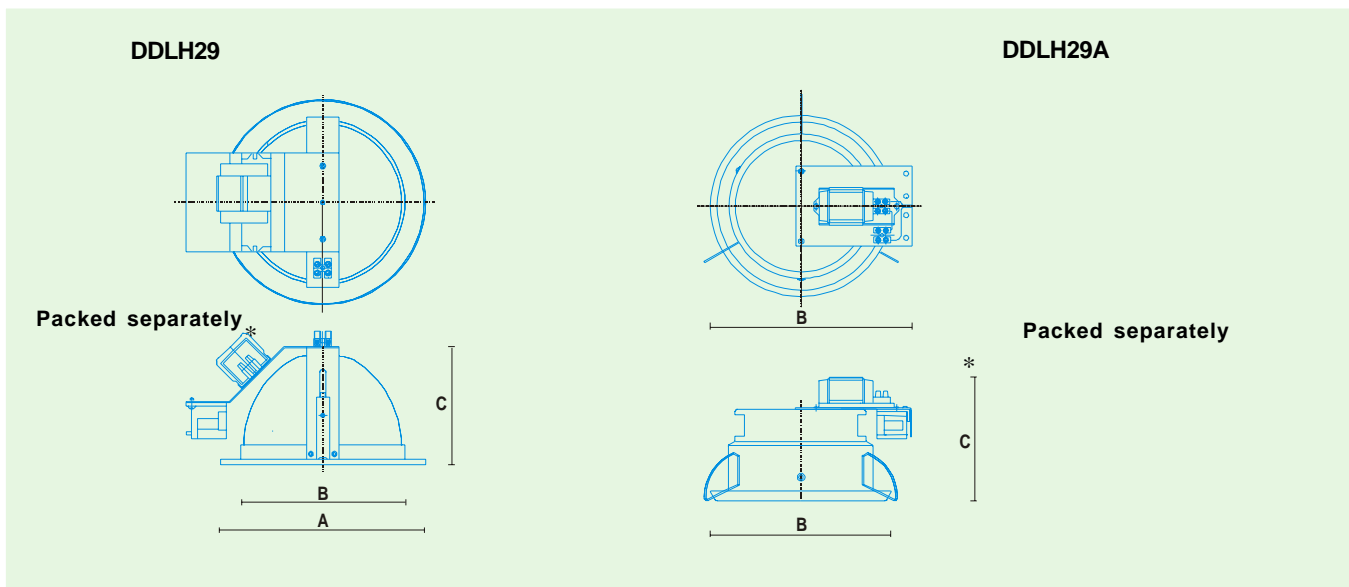
Retaining clips facilitate mounting in false ceilings upto 15 mm thickness.

RELAMPING:

Can be carried out from below. Lamp fitment/removal from holder requires horizontal movement of the lamp.

APPLICATIONS:

Specially designed for use in modern lobbies, hotels, shopping complexes, hospitals, and other commercial establishments with false ceilings for energy efficient and aesthetic lighting.



CatRef	Lamp			Ballast*	Cut Out Size Dia (mm)	Dimension (mm)			Approx Wt (Kgs) without ballast	Case lot (Nos)
	Type	No	Watts			A	B	C		
DDLH 29	CFL	2	9	SFB 7029	164	188	154	110	0.9	12
DDLH 29A	CFL	2	9	SFB 7029	170	192	153	130	0.8	6

* To be ordered separately.



MINIGOLD LUMINAIRE

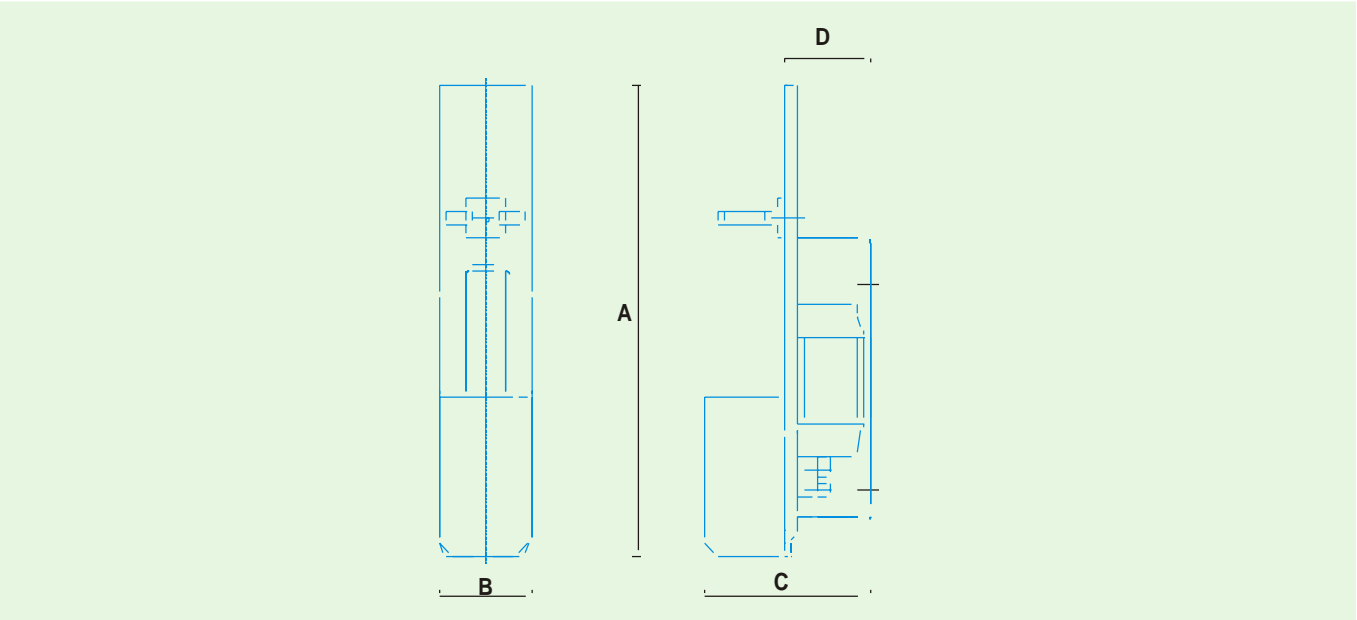
IP20 **TLX/XLF**

LUMINAIRE:
 Fabricated from CRCA MS sheet and painted white. Prewired with vacuum pressure impregnated copper ballast, lamp holder and mains connector. Colour options for decorative end covers are White (W), Red (R), Yellow (Y), Brown (BR), Grey (G) & Black (BK).

MOUNTING:
 Two nos. key slots provided on the mounting bracket.

RELAMPING:
 The lamp fitment/replacement is by movement of the lamp along the axis of the luminaire.

APPLICATIONS:
 Suitable for domestic interiors, shops hotels, corridors etc.



Cat Ref	Lamp			Dimension (mm)				Approx Wt (Kgs)	Case lot (Nos)
	Type	No	Watts	A	B	C	D		
TLX9	CFL	1	9	185	39	57	39	0.8	20
TLX11	CFL	1	11	155	39	57	39	0.8	20
XLF9	CFL	1	9	--	--	--	--	--	20
XLF11	CFL	1	11	--	--	--	--	--	20

*XLF luminaire has a flat and slim CFL ballast.
 *Please add suffix 'W', 'BR', 'Y', 'G', 'R', & 'BK' for White, Brown, Yellow, Grey, Red & Black colour end covers respectively to the Cat. Ref. e.g. TLX9/BR indicates luminaire with Brown end covers.

VOLTAGE AND CURRENT RATINGS

Cat. Ref.	Voltage (V)	Current (A)
D 22	240	0.4
DCE 32	240	0.43
DCGD 32	240	0.4
TLG 29	230	0.155
TLH 29	230	0.155
TLK 29	230	0.155
TLJ 29	230	0.155
TLO 9	230	0.175
TLO 11	230	0.155
TLN 9	230	0.175
TLN 11	230	0.155

Cat. Ref.	Voltage (V)	Current (A)
TLX 9	230	0.175
TLX 11	230	0.155
XLF 9	230	0.175
XLF 11	230	0.155
DDLV 9	230	0.175
DDLV 11	230	0.155
DDLV 13	240	0.165
DDLV 18	240	0.22
DDLV 26	240	0.325
DDLV 70MH	240	0.4
DDLV 10BC	230	0.43
DDLH 29	230	0.155
DDLH 29A	230	0.155