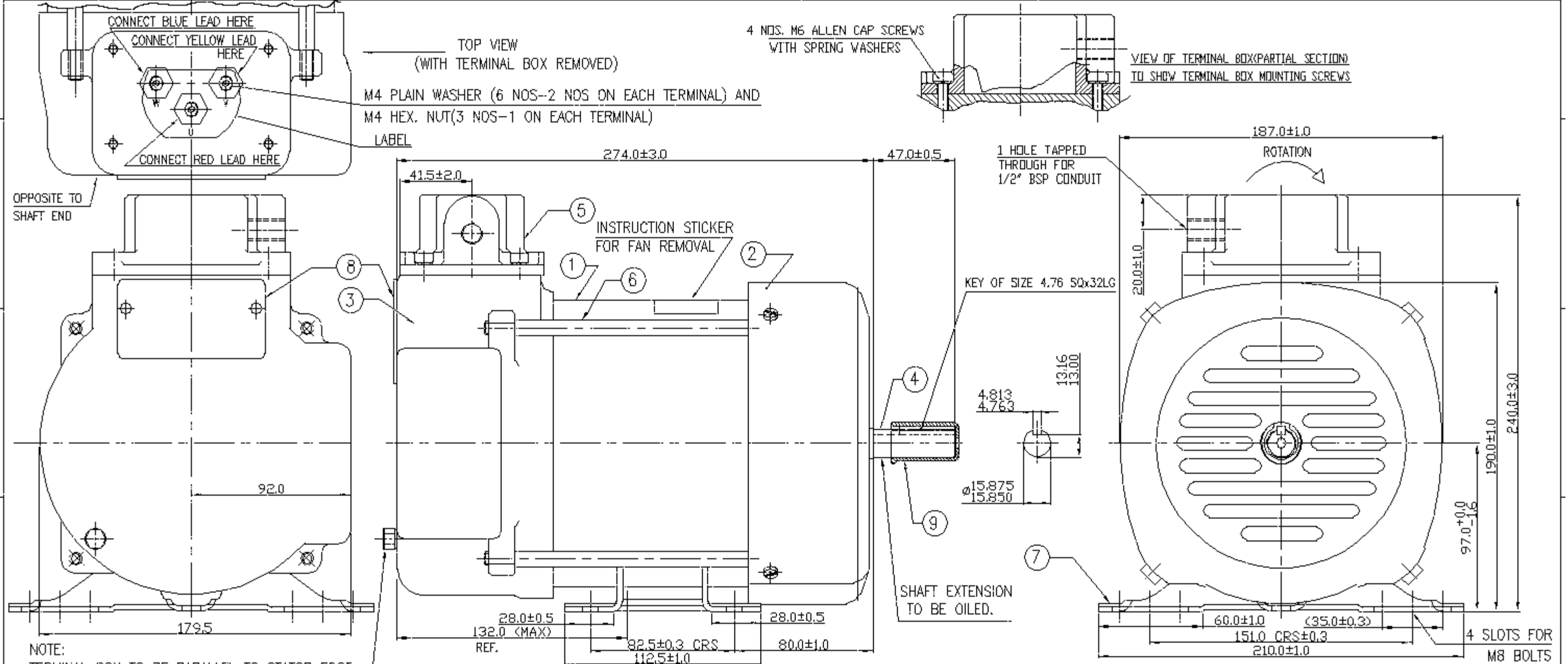


8	7	6	5	4	3	2	1
DRG. NO GQ2916435	MATERIAL	SPECIFICATION	PROJECTION 	GENERAL TOLERANCE ON DIMENSIONS 1 PLACE DECIMAL ± 0.25 ANGLE ± 0.30 2 PLACE DECIMAL ± 0.13	MACHINED SURFACES SHOWN BY ▽ ROUGH FINISH ▽▽ GROUND FINISH ▽▽ SMOOTH FINISH	CONTROL CHARACTERISTICS ◻ MANDATORY MEASUREMENT ◊ FIT/FUNCTION SPC ◉ SAFETY CHARACTERISTIC	IF IN DOUBT, ASK ALL DIMENSIONS ARE IN mm UNLESS OTHERWISE SPECIFIED



NOTE:
TERMINAL BOX TO BE PARALLEL TO STATOR FOOT.

9	SHAFT CAP	1
8	NAMEPLATE	1
7	STATOR FOOT	1
6	MOTOR ASSEMBLY STUD	4
5	TERMINAL BOX	1
4	SHAFT	1
3	ODE ENDSHIELD	1
2	METAL COWL (FAN COVER)	1
1	STATOR HOUSING	1
ITEM NO	DESCRIPTION	QTY

PART LIST

MOTOR PAINTED IN SILVER COLOUR

DRN	MK	26.2.03	USED ON	1HP, 3Ø, 50HZ		REV
CHK	KLR					
APPD					GQ2916435	REV
SCALE	N.T.S.					
DATA STORAGE					CODE No.	
DICN No.	G	/2003				

DIMENSION DRAWING
FLP MOTOR

CONTROL PLAN # ISSUED TO :

Information contained in this document confidential and should not be used without prior consent of CROMPTON GREAVES LTD.