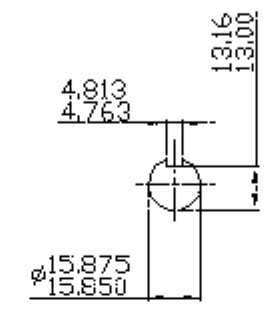
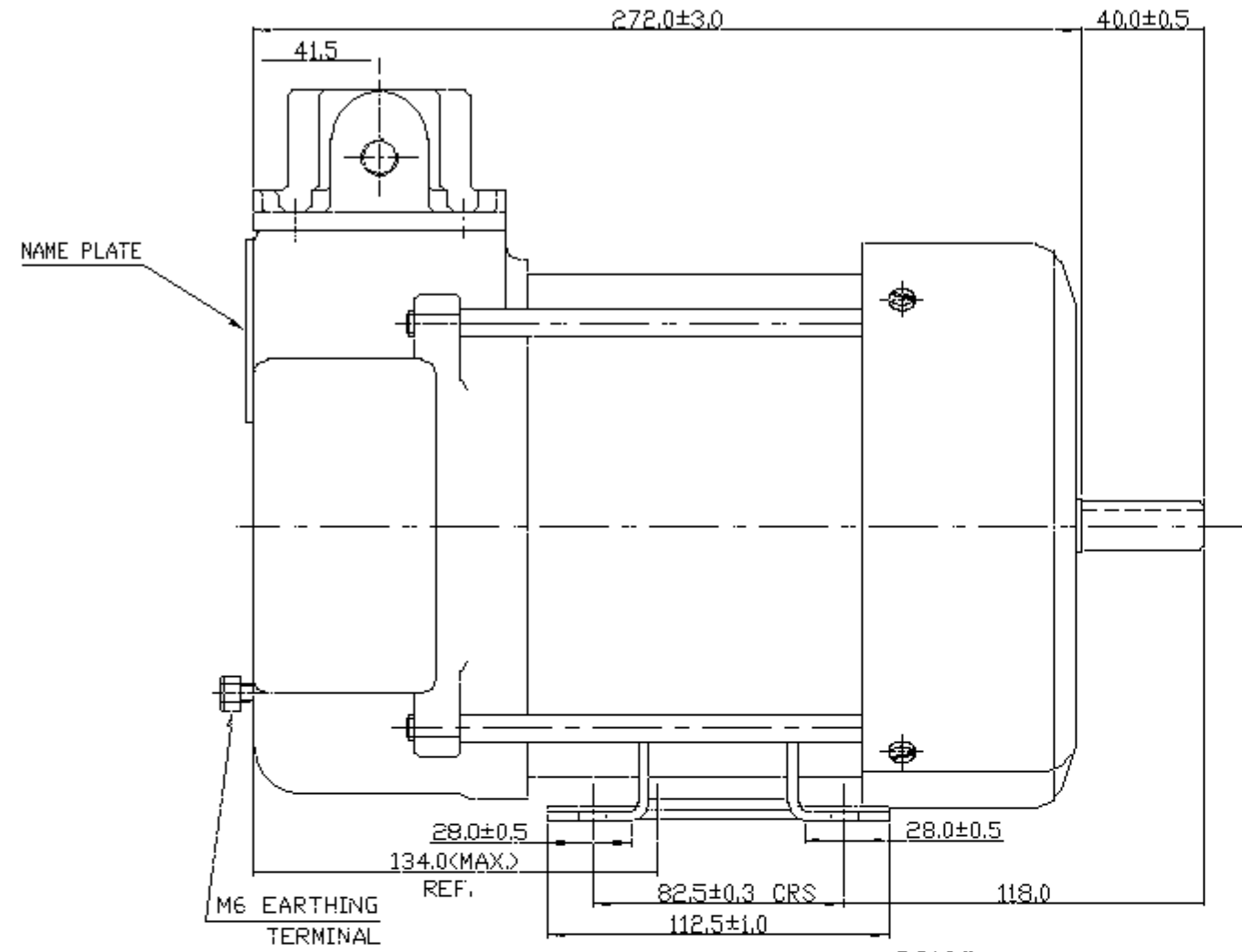
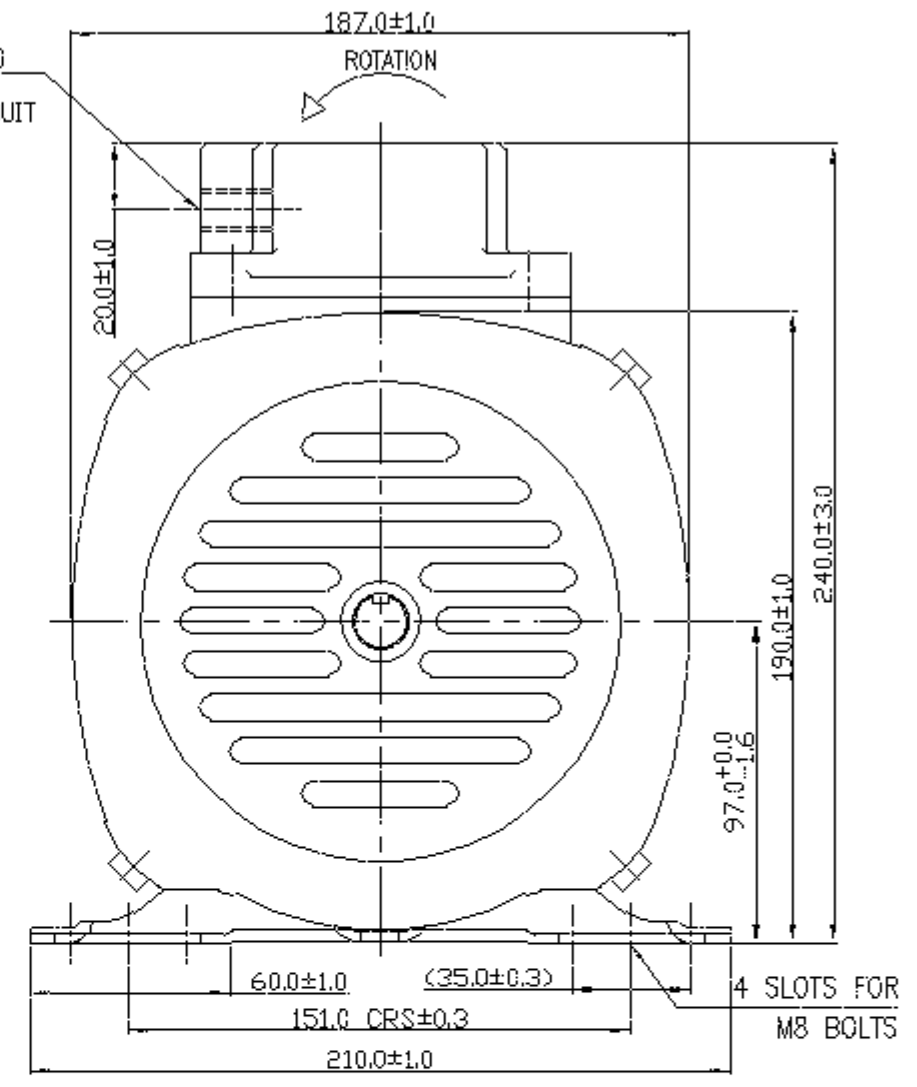


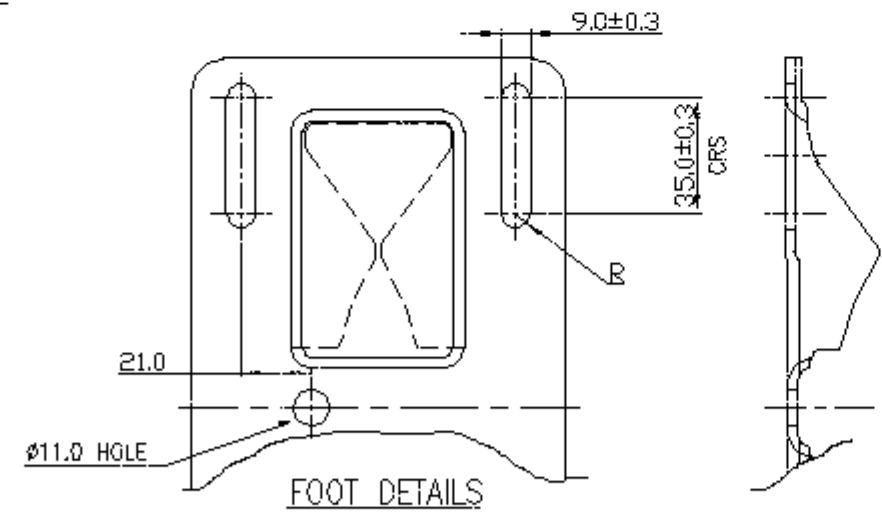
8	7	6	5	4	3	2	1
DRG. NO FQ291760	MATERIAL	SPECIFICATION	PROJECTION 	GENERAL TOLERANCE ON DIMENSIONS 1 PLACE-DECIMAL ± 0.25 ANGLE ± 0.30 2 PLACE-DECIMAL ± 0.13	MACHINED SURFACES SHOWN BY ▽ ROUGH FINISH ∇∇∇ GROUND FINISH ∇∇ SMOOTH FINISH	CONTROL CHARACTERISTICS ◇ MANDATORY MEASUREMENT ◇ FIT/FUNCTION SPC ⚠ SAFETY CHARACTERISTIC	IF IN DOUBT, ASK ALL DIMENSIONS ARE IN mm UNLESS OTHERWISE SPECIFIED



1 HOLE TAPPED THROUGH FOR 1/2" BSP CONDUIT



MOTOR PAINTED IN SILVER COLOR



information contained in this document confidential and should not be used without prior consent of CROMPTON GREAVES LTD.

CONTROL PLAN # ISSUED TO :

DRN	RPK	24.9.94	USED ON	FLP MOTORS		DRG NO FQ291760 REV
CHK						
APPD					DIMENSION DRAWING FLP MOTOR	CODE No.
SCALE	N.T.S.					
DATA STORAGE						
DICN No.						